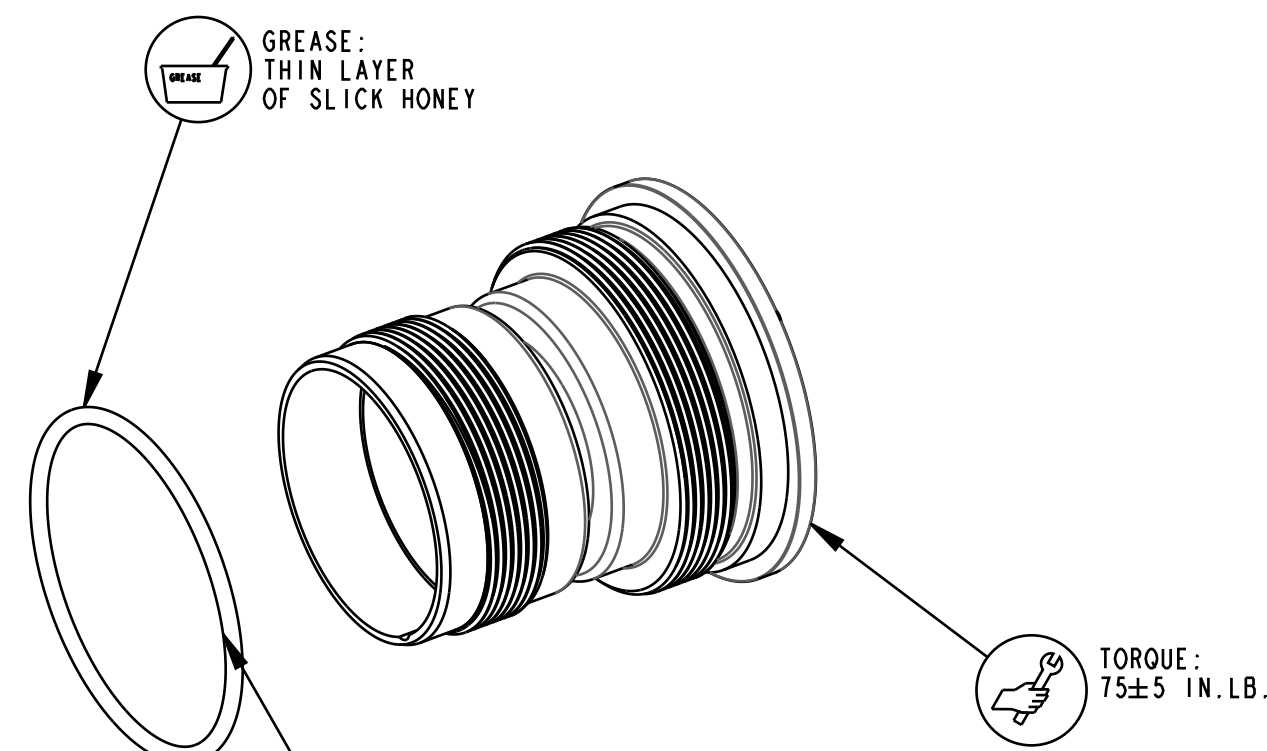
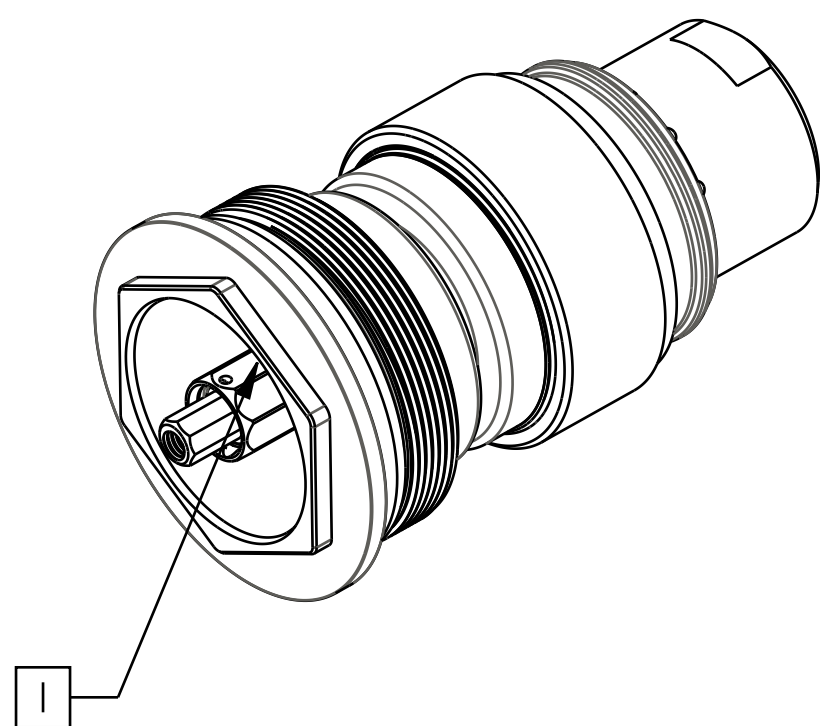


1 TURN ADJUSTER TO CHECK FOR HARD STOPS IN BOTH DIRECTIONS.



TORQUE: 75±5 IN.LB.

TORQUE: 75±5 IN.LB.

GREASE: THIN LAYER OF SLICK HONEY

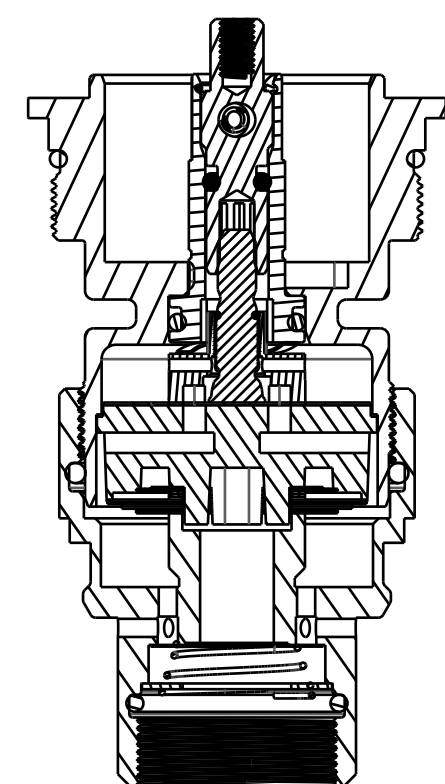
GREASE: THIN LAYER OF SLICK HONEY

210-22-926
Compression Clamp, FIT4, 36

029-08-178
TOPCAP O-RING

TOPCAP COMPRESSION PARTS

COMPRESSION VALVING ASSY



044-06-060
Valve: [.600 X .252 X .006]

029-03-023
Seals: O-Ring [(-023) .070 C.S. X 1.051 ID] Standard, N-70, Static

039-00-205
Spring, Comp. Check

040-20-066
Valve: [0.660 OD X 0.377 ID X 0.020 TH]

029-08-059
Seals: O-Ring [16.5mm ID X 1.5mm CS] Metric, N-70, Static

PROPRIETARY - THIS DOCUMENT CONTAINS CONFIDENTIAL, PROPRIETARY INFORMATION THAT IS FOX PROPERTY. DO NOT DISCLOSE TO OR DUPLICATE FOR OTHERS EXCEPT AS AUTHORIZED BY FOX.

FOX **FOX Factory, Inc.** Ph 831-768-1100
 130 Hangar Way, Watsonville, CA 95076 USA Fax 831-768-9312

TITLE
2017 36
FIT4 Topcap

SIZE DWG. NO.
C

PLOT SCALE | .50:1 | SHEET 1 OF 1